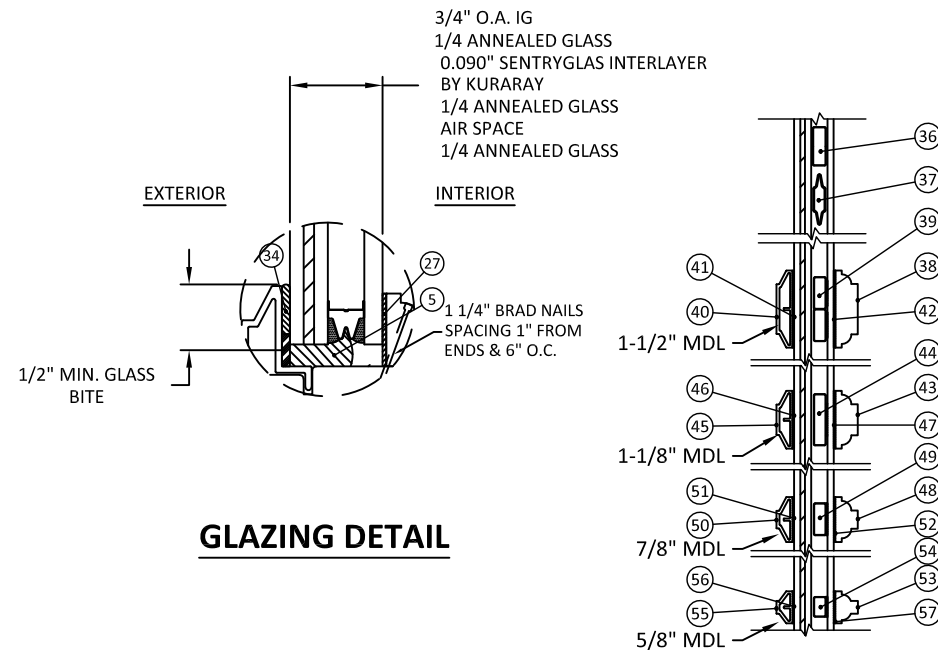


ANDERSEN CORPORATION

E-SERIES HINGED PATIO DOOR TRANSOM - INSWING (HVHZ)(IMPACT)

GENERAL NOTES:

- THE PRODUCT SHOWN HEREIN IS DESIGNED AND MANUFACTURED TO COMPLY WITH THE CURRENT EDITION FLORIDA BUILDING CODE (FBC), **INCLUDING** HVHZ AND HAS BEEN EVALUATED ACCORDING TO THE FOLLOWING:
 - AAMA/WDMA/CSA 101/I.S.2/A440-17
 - ASTM E1886-19
 - ASTM E1996-20
 - TAS 201-94
 - TAS 202-94
 - TAS 203-94
- ADEQUACY OF THE EXISTING STRUCTURAL CONCRETE/MASONRY, 2X FRAMING, AND METAL FRAMING AS A MAIN WIND FORCE RESISTING SYSTEM CAPABLE OF WITHSTANDING AND TRANSFERRING APPLIED PRODUCT LOADS TO THE FOUNDATION IS THE RESPONSIBILITY OF THE ENGINEER OR ARCHITECT OF RECORD FOR THE PROJECT OF INSTALLATION.
- 1X AND 2X BUCKS (WHEN USED) SHALL BE DESIGNED AND ANCHORED TO PROPERLY TRANSFER ALL LOADS TO THE STRUCTURE. BUCK DESIGN AND INSTALLATION IS THE RESPONSIBILITY OF THE ENGINEER OR ARCHITECT OF RECORD FOR THE PROJECT OF INSTALLATION.
- THE INSTALLATION DETAILS DESCRIBED HEREIN ARE GENERIC AND MAY NOT REFLECT ACTUAL CONDITIONS FOR A SPECIFIC SITE. IF SITE CONDITIONS CAUSE INSTALLATION TO DEVIATE FROM THE REQUIREMENTS DETAILED HEREIN, A LICENSED ENGINEER OR ARCHITECT SHALL PREPARE SITE SPECIFIC DOCUMENTS FOR USE WITH THIS DOCUMENT IN NON-HVHZ AREAS. IN HVHZ AREAS, ONE TIME PRODUCT APPROVAL TO BE OBTAINED FROM MIAMI-DADE RER OR AHJ.
- APPROVED IMPACT PROTECTIVE SYSTEM **IS NOT REQUIRED** ON THIS PRODUCT IN AREAS REQUIRING IMPACT RESISTANCE.
- WINDOW FRAME MATERIAL: ALUMINUM CLAD & WOOD.
- GLASS MEETS THE REQUIREMENTS OF ASTM E 1300 GLASS CHARTS. SEE SHEET 1 FOR GLAZING DETAILS.



GLAZING DETAIL

**OPTIONAL MUNTIN BAR
ATTACHMENT TO GLASS**

GLAZING NOTES:

- GLASS TYPE COMPLIES WITH ASTM E1300 REQUIREMENTS.
- SETTING BLOCKS TO BE LOCATED AT 1/4 SPAN LENGTH FOR GLASS WIDER THAN 36" AS PER FBC CHAPTER 24.
- SETTING BLOCK DUROMETER HARDNESS OF 70-90 (SHORE A) AS REFERENCED IN FBC CHAPTER 24.
- GLASS TYPE SHALL COMPLY WITH APPLICABLE GLAZING REQUIREMENTS PER CHAPTER 24 OF THE FBC

| TABLE OF CONTENTS | |
|-------------------|--|
| SHEET | SHEET DESCRIPTION |
| 1 | GENERAL NOTES & GLAZING DETAILS |
| 2 | ELEVATIONS & ANCHOR LAYOUTS |
| 3 | VERTICAL SECTIONS |
| 4 | HORIZONTAL SECTIONS |
| 5 | ANCHOR DETAILS & SCHEDULE & INSTALLATION NOTES |
| 6 | COMPONENTS |
| 7 | BILL OF MATERIALS |

| WINDOW TYPE | OVERALL FRAME SIZE | | OVERALL D.L.O. DIMENSION | | GLASS TYPE | DESIGN PRESSURE (PSF) | |
|-------------|--------------------|--------------|--------------------------|--------------|------------|-----------------------|------|
| | WIDTH (IN.) | HEIGHT (IN.) | WIDTH (IN.) | HEIGHT (IN.) | | POS. | NEG. |
| SINGLE | 72.0 | 36.0 | 64.62 | 29.62 | G1 | +65 | -65 |



100 FOURTH AVE NORTH
BAYPORT, MN 55003-1096
PH: (651) 264-5150 FX: (651) 264-5485

TITLE: E-SERIES HINGED PATIO
DOOR TRANSOM - INSWING
(HVHZ) (IMPACT)

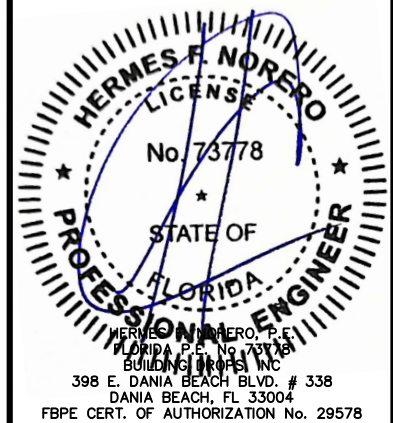
GENERAL NOTES & GLAZING DETAILS

PREPARED BY:
BUILDING DROPS, INC.
398 E. DANIA BEACH BLVD., STE. 338
DANIA BEACH, FL 33004
PH: (954) 399-8478
FAX: (954) 744-4738
WEB: www.buildingdrops.com



| REMARKS | BY | DATE |
|----------------------|-----|---------|
| 6TH FBC EDITION | FM | 10/17 |
| 7TH FBC CODE CHANGE | NUS | 6.29.20 |
| 2023 FBC CODE CHANGE | MS | 5/31/23 |

THE INSTALLATION DETAILS DESCRIBED HEREIN ARE GENERIC AND MAY NOT REFLECT ACTUAL CONDITIONS FOR A SPECIFIC SITE. IF SITE CONDITIONS CAUSE INSTALLATION TO DEVIATE FROM THE REQUIREMENTS DETAILED HEREIN, A LICENSED ENGINEER OR ARCHITECT SHALL PREPARE SITE SPECIFIC DOCUMENTS FOR USE WITH THIS DOCUMENT.



| | |
|----------|-----------------|
| FL #: | FL24230 |
| DATE: | 10.16.17 |
| DWG. BY: | RV |
| CHK. BY: | HFN |
| SCALE: | NTS |
| DWG. #: | AWD218 |
| SHEET | 1 |



100 FOURTH AVE NORTH
BAYPORT, MN 55003-1096
PH: (651) 264-5150 FX: (651) 264-5485

TITLE: E-SERIES HINGED PATIO
DOOR TRANSOM - INSWING
(HVHZ) (IMPACT)

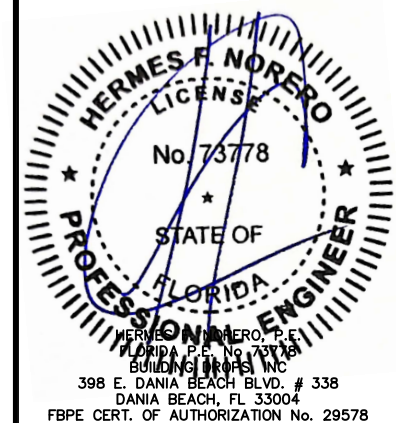
ELEVATIONS & ANCHOR LAYOUTS

PREPARED BY:
BUILDING DROPS, INC.
398 E. DANIA BEACH BLVD., STE. 338
DANIA BEACH, FL 33004
PH: (954) 399-8478
FAX: (954) 744-4738
WEB: www.buildingdrops.com



| REMARKS | BY | DATE |
|----------------------|-----|---------|
| 6TH FBC EDITION | FM | 10/17 |
| 7TH FBC CODE CHANGE | NUS | 6.29.20 |
| 2023 FBC CODE CHANGE | MS | 5/31/23 |

THE INSTALLATION DETAILS DESCRIBED HEREIN ARE GENERIC AND MAY NOT REFLECT ACTUAL CONDITIONS FOR A SPECIFIC SITE. IF SITE CONDITIONS CAUSE INSTALLATION TO DEVIATE FROM THE REQUIREMENTS DETAILED HEREIN, A LICENSED ENGINEER OR ARCHITECT SHALL PREPARE SITE SPECIFIC DOCUMENTS FOR USE WITH THIS DOCUMENT.



FL #: **FL24230**

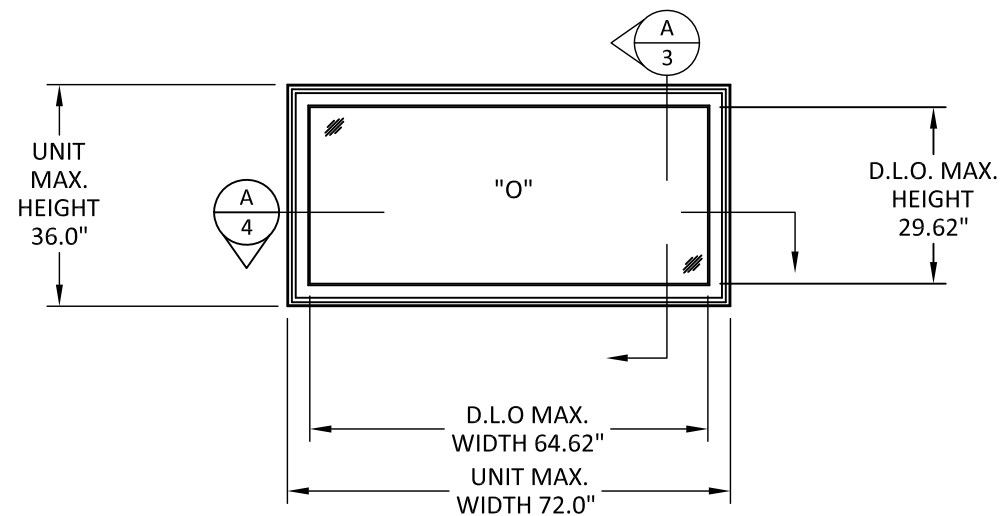
DATE: **10.16.17**

DWG. BY: **RV** CHK. BY: **HFN**

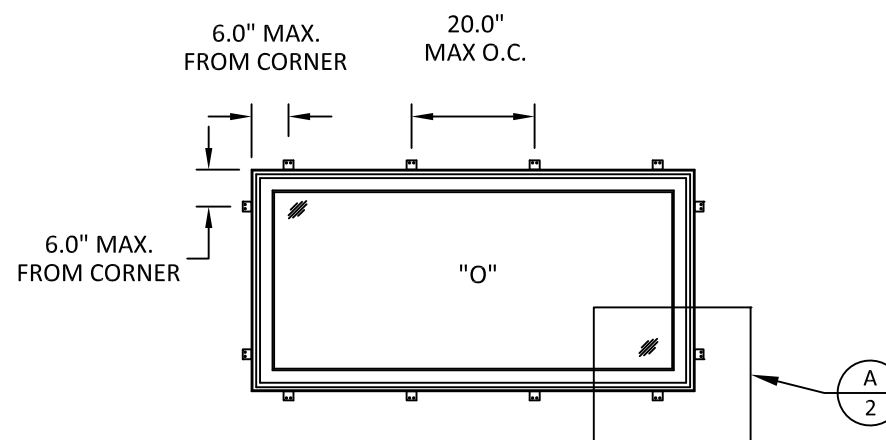
SCALE: **NTS**

DWG. #: **AWD218**

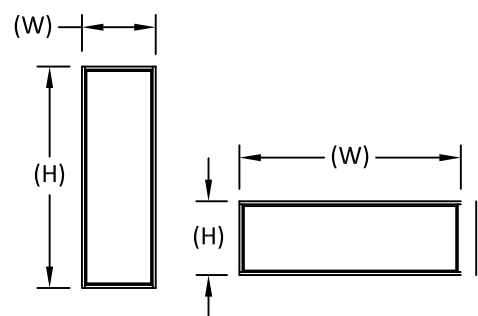
SHEET
2



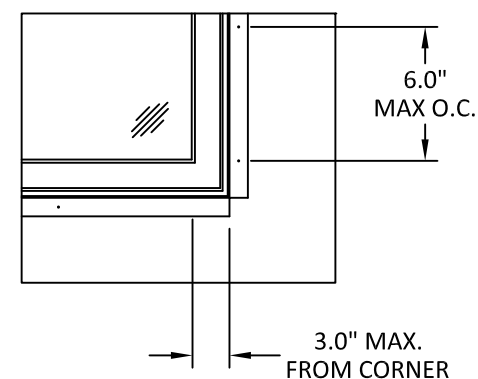
ELEVATION



ANCHOR LAYOUT THROUGH FRAME



NOTE:
WINDOW WIDTH (W) AND HEIGHT (H) ARE INTERCHANGEABLE FOR ALL SIZES SHOWN HEREIN NOT TO EXCEED MAXIMUM TESTED SQUARE FOOT AREA. ANCHOR SPACING SHALL NOT EXCEED THOSE SHOWN FOR LONG OR SHORT LEG OF UNIT.



ANCHOR LAYOUT NAIL FIN



100 FOURTH AVE NORTH
BAYPORT, MN 55003-1096
PH: (651) 264-5150 FX: (651) 264-5485

TITLE: E-SERIES HINGED PATIO
DOOR TRANSOM - INSWING
(HVHZ) (IMPACT)

VERTICAL SECTIONS

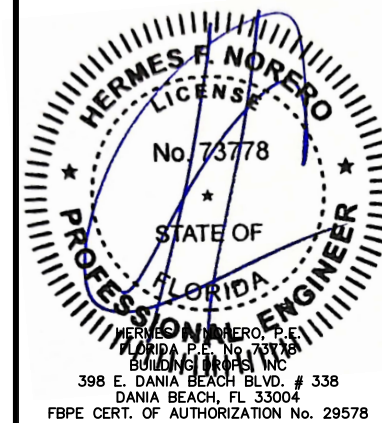
PREPARED BY:
BUILDING DROPS, INC.

398 E. DANIA BEACH BLVD., STE. 338
DANIA BEACH, FL 33004
PH: (954) 399-8478
FAX: (954) 744-4738
WEB: www.buildingdrops.com



| REMARKS | BY | DATE |
|----------------------|-----|---------|
| 6TH FBC EDITION | FM | 10/17 |
| 7TH FBC CODE CHANGE | NUS | 6.29.20 |
| 2023 FBC CODE CHANGE | MS | 5/31/23 |

THE INSTALLATION DETAILS DESCRIBED HEREIN ARE GENERIC AND MAY NOT REFLECT ACTUAL CONDITIONS FOR A SPECIFIC SITE. IF SITE CONDITIONS CAUSE INSTALLATION TO DEVIATE FROM THE REQUIREMENTS DETAILED HEREIN, A LICENSED ENGINEER OR ARCHITECT SHALL PREPARE SITE SPECIFIC DOCUMENTS FOR USE WITH THIS DOCUMENT.



FL #:

FL24230

DATE: 10.16.17

DWG. BY: RV CHK. BY: HFN

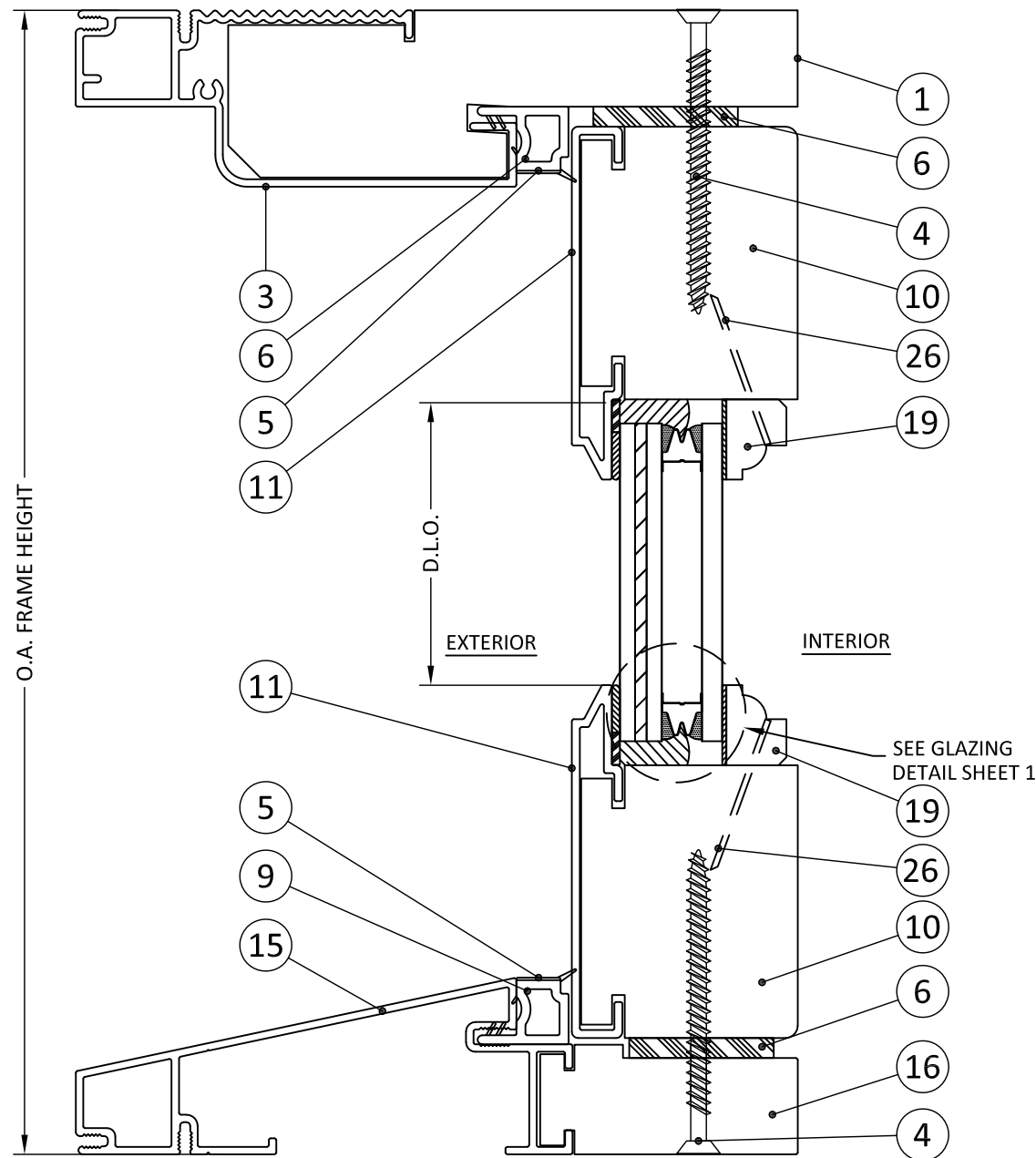
SCALE: NTS

DWG. #: AWD218

SHEET

3

OF 7



A
3 VERTICAL SECTION

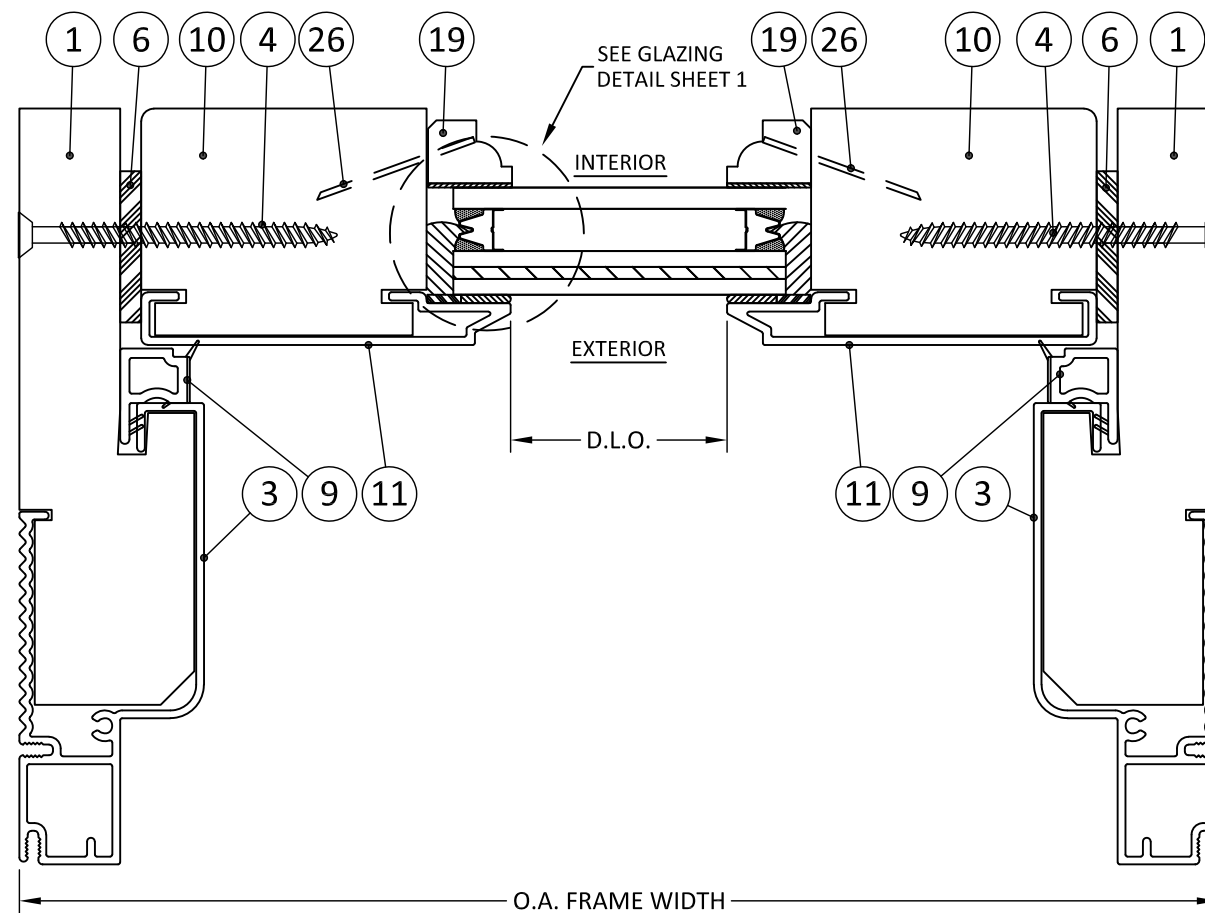


100 FOURTH AVE NORTH
 BAYPORT, MN 55003-1096
 PH: (651) 264-5150 FX: (651) 264-5485

TITLE: E-SERIES HINGED PATIO
 DOOR TRANSOM - INSWING
 (HVHZ) (IMPACT)

HORIZONTAL SECTIONS

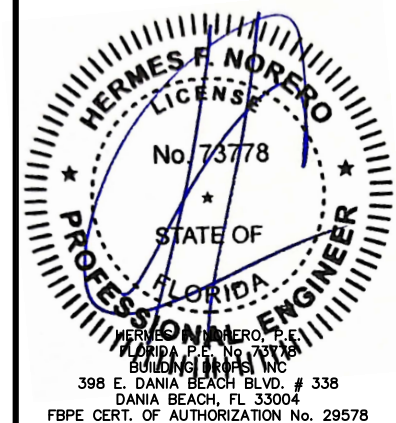
PREPARED BY:
BUILDING DROPS, INC.
 398 E. DANIA BEACH BLVD., STE. 338
 DANIA BEACH, FL 33004
 PH: (954) 399-8478
 FAX: (954) 744-4738
 WEB: www.buildingdrops.com



A
4 **HORIZONTAL SECTION**

| REMARKS | BY | DATE |
|----------------------|-----|---------|
| 6TH FBC EDITION | FM | 10/17 |
| 7TH FBC CODE CHANGE | NUS | 6.29.20 |
| 2023 FBC CODE CHANGE | MS | 5/31/23 |

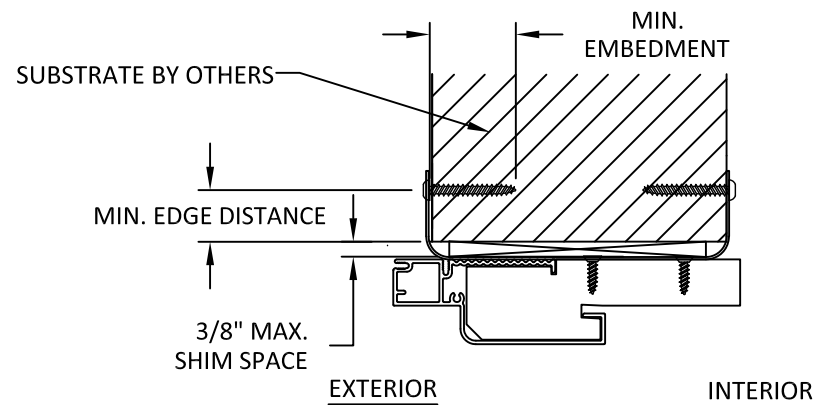
THE INSTALLATION DETAILS DESCRIBED HEREIN ARE GENERIC AND MAY NOT REFLECT ACTUAL CONDITIONS FOR A SPECIFIC SITE. IF SITE CONDITIONS CAUSE INSTALLATION TO DEVIATE FROM THE REQUIREMENTS DETAILED HEREIN, A LICENSED ENGINEER OR ARCHITECT SHALL PREPARE SITE SPECIFIC DOCUMENTS FOR USE WITH THIS DOCUMENT.



| | |
|----------|-----------------|
| FL #: | FL24230 |
| DATE: | 10.16.17 |
| DWG. BY: | RV |
| CHK. BY: | HFN |
| SCALE: | NTS |
| DWG. #: | AWD218 |

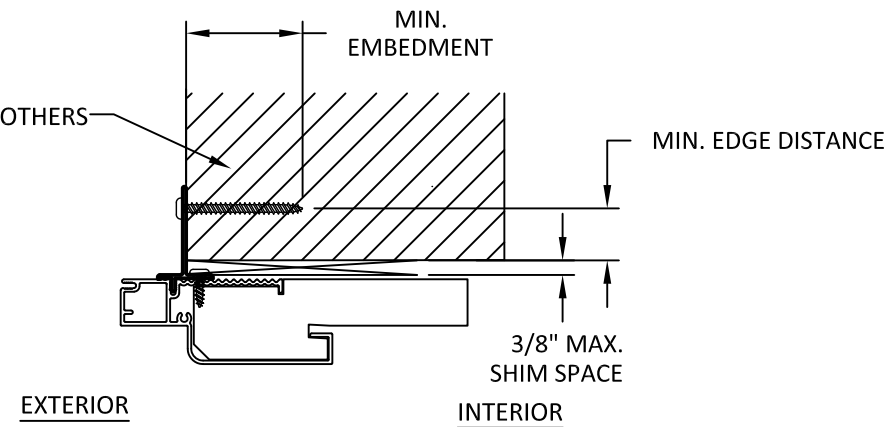
SHEET
4

6/9/2023 8:28 AM
s:\projects\andersen_windows\cc-23-0406 - fbc 2023 code change (8th edition)\124230\dwgs\awd218 - e-series hinged patio door-transom - inswing (hvhz)(impact).dwg



A
5 **ANCHOR DETAIL**
STRAP ANCHOR (JAMB)

-HEAD AND JAMB HAVE SIMILAR DETAILS

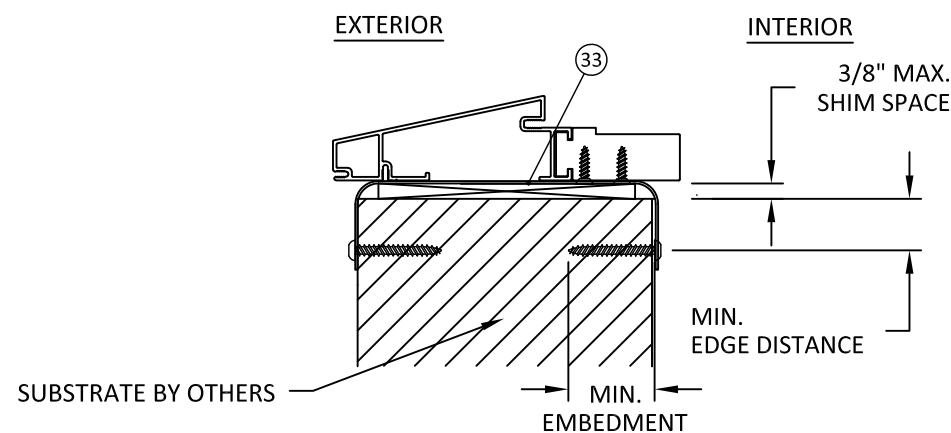


B
5 **ANCHOR DETAIL**
NAIL FIN (JAMB)

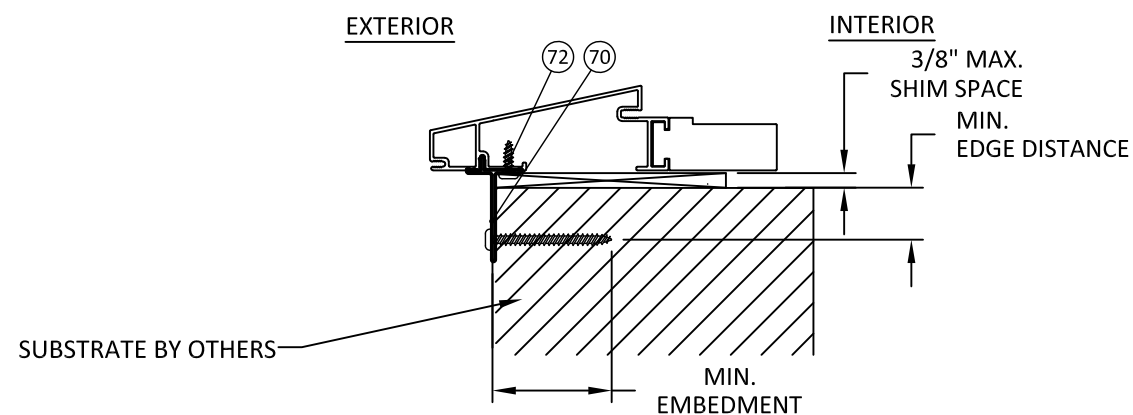
| ANCHOR SCHEDULE | | | | |
|-----------------|--------------------------------------|-----------------|--|--------------------|
| METHOD | SUBSTRATE | ANCHOR SCHEDULE | MIN EMBEDMENT | MIN. EDGE DISTANCE |
| STRAP ANCHOR | WOOD: MIN. SG = 0.55 | #8 WOOD SCREW | 1.5" | 0.75" |
| | METAL: 18 GAUGE, MIN. Fy=33KSI | #8 TEK SCREW | 3 THREADS MIN PENETRATION BEYOND METAL | 0.75" |
| NAIL FIN | WOOD: MIN. SG = 0.55 | #8 WOOD SCREW | 1.5" | 0.75" |
| | METAL: 18 GAUGE STEEL, MIN. Fy=33KSI | #8 TEK SCREW | 3 THREADS MIN PENETRATION BEYOND METAL | 0.75" |

INSTALLATION NOTES:

- ONE (1) INSTALLATION ANCHOR IS REQUIRED AT EACH ANCHOR LOCATION SHOWN.
- THE NUMBER OF INSTALLATION ANCHORS DEPICTED IS THE MINIMUM NUMBER OF ANCHORS TO BE USED FOR PRODUCT INSTALLATION OF THE MAXIMUM SIZE LISTED.
- INSTALL INDIVIDUAL INSTALLATION ANCHORS WITHIN A TOLERANCE OF ±1.000 INCH THE DEPICTED LOCATION & SPACING IN THE ANCHOR LAYOUT DETAILS (I.E., WITHOUT CONSIDERATION OF TOLERANCES). TOLERANCES ARE NOT CUMULATIVE FROM ONE INSTALLATION ANCHOR TO THE NEXT.
- SHIM AS REQUIRED AT EACH INSTALLATION ANCHOR WITH LOAD BEARING SHIM(S). MAXIMUM ALLOWABLE SHIM STACK TO BE 3/8 INCH. SHIM WHERE SPACE OF 1/16 INCH OR GREATER OCCURS. SHIM(S) SHALL BE CONSTRUCTED OF HIGH DENSITY PLASTIC OR BETTER.
- MINIMUM EMBEDMENT AND EDGE DISTANCE EXCLUDE WALL FINISHES, INCLUDING BUT NOT LIMITED TO STUCCO, FOAM, BRICK VENEER, AND SIDING.
- INSTALLATION ANCHORS AND ASSOCIATED HARDWARE MUST BE MADE OF CORROSION RESISTANT MATERIAL OR HAVE A CORROSION RESISTANT COATING.
- FOR MASONRY OR CONCRETE OPENINGS, A 1X WOOD BUCK MAY BE USED (OPTIONAL) AS LONG AS THE MINIMUM EMBEDMENT AND EDGE DISTANCE REQUIREMENTS ARE STILL MET WITHIN THE CORRESPONDING HOST SUBSTRATE. SEE GENERAL NOTE #3 ON SHEET 1 FOR MORE INFORMATION.
- FOR HOLLOW BLOCK AND GROUT FILLED BLOCK, DO NOT INSTALL INSTALLATION ANCHORS INTO MORTAR JOINTS. EDGE DISTANCE IS MEASURED FROM FREE EDGE OF BLOCK OR EDGE OF MORTAR JOINT INTO FACE SHELL OF BLOCK.
- INSTALLATION ANCHORS SHALL BE INSTALLED IN ACCORDANCE WITH ANCHOR MANUFACTURER'S INSTALLATION INSTRUCTIONS, AND ANCHORS SHALL NOT BE USED IN SUBSTRATES WITH STRENGTHS LESS THAN THE MINIMUM STRENGTH SPECIFIED BY THE ANCHOR MANUFACTURER.



A
5 **ANCHOR DETAIL**
STRAP ANCHOR (SILL)



B
5 **ANCHOR DETAIL**
NAIL FIN (SILL)



100 FOURTH AVE NORTH
BAYPORT, MN 55003-1096
PH: (651) 264-5150 FX: (651) 264-5485

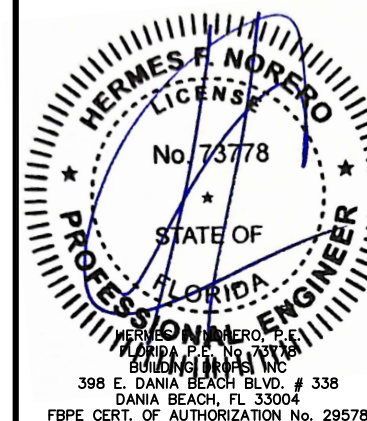
TITLE: E-SERIES HINGED PATIO
DOOR TRANSOM - INSWING
(HVHZ) (IMPACT)
ANCHOR DETAILS & SCHEDULE &
INSTALLATION NOTES

PREPARED BY:
BUILDING DROPS, INC.
398 E. DANIA BEACH BLVD., STE. 338
DANIA BEACH, FL 33004
PH: (954) 399-8478
FAX: (954) 744-4738
WEB: www.buildingdrops.com



| REMARKS | BY | DATE |
|----------------------|-----|---------|
| 6TH FBC EDITION | FM | 10/17 |
| 7TH FBC CODE CHANGE | NUS | 6.29.20 |
| 2023 FBC CODE CHANGE | MS | 5/31/23 |

THE INSTALLATION DETAILS DESCRIBED HEREIN ARE GENERIC AND MAY NOT REFLECT ACTUAL CONDITIONS FOR A SPECIFIC SITE. IF SITE CONDITIONS CAUSE INSTALLATION TO DEVIATE FROM THE REQUIREMENTS DETAILED HEREIN, A LICENSED ENGINEER OR ARCHITECT SHALL PREPARE SITE SPECIFIC DOCUMENTS FOR USE WITH THIS DOCUMENT.

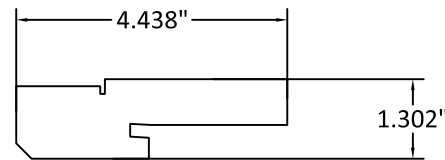


| | |
|----------|-----------------|
| FL #: | FL24230 |
| DATE: | 10.16.17 |
| DWG. BY: | RV |
| CHK. BY: | HFN |
| SCALE: | NTS |
| DWG. #: | AWD218 |

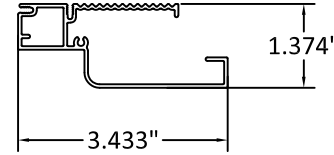
SHEET

5

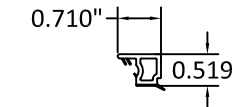
1 FRAME



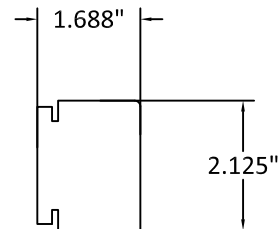
3 FRAME CLADDING



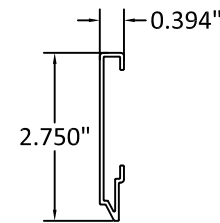
9 SHIM SPACER



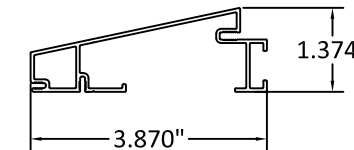
10 TOP RAIL & STILE



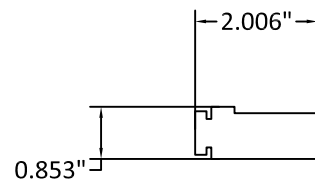
11 TOP RAIL CLADDING



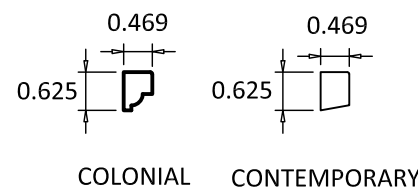
15 TRANSOM SILL



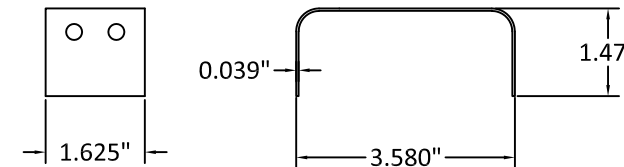
16 TRANSOM SILL TRIM



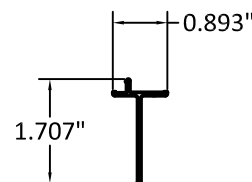
19 GLAZING STOP



33 STRAP ANCHOR



70 NAIL FIN



100 FOURTH AVE NORTH
BAYPORT, MN 55003-1096
PH: (651) 264-5150 FX: (651) 264-5485

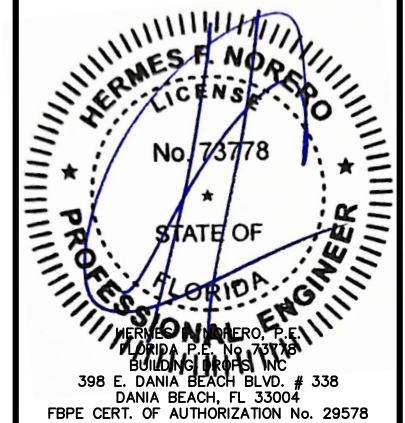
TITLE: E-SERIES HINGED PATIO
DOOR TRANSOM - INSWING
(HVHZ) (IMPACT)

COMPONENTS

PREPARED BY:
B.D.
BUILDING DROPS
BUILDING DROPS, INC.
398 E. DANIA BEACH BLVD., STE. 338
DANIA BEACH, FL 33004
PH: (954) 399-8478
FAX: (954) 744-4738
WEB: www.buildingdrops.com

| REMARKS | BY | DATE |
|----------------------|-----|---------|
| 6TH FBC EDITION | FM | 10/17 |
| 7TH FBC CODE CHANGE | NUS | 6.29.20 |
| 2023 FBC CODE CHANGE | MS | 5/31/23 |

THE INSTALLATION DETAILS DESCRIBED HEREIN ARE GENERIC AND MAY NOT REFLECT ACTUAL CONDITIONS FOR A SPECIFIC SITE. IF SITE CONDITIONS CAUSE INSTALLATION TO DEVIATE FROM THE REQUIREMENTS DETAILED HEREIN, A LICENSED ENGINEER OR ARCHITECT SHALL PREPARE SITE SPECIFIC DOCUMENTS FOR USE WITH THIS DOCUMENT.



FL #: **FL24230**

DATE: **10.16.17**

DWG. BY: **RV** CHK. BY: **HFN**

SCALE: **NTS**

DWG. #: **AWD218**

SHEET
6

s:\projects\andersen_windows\cc-23-0406 - fbc 2023 code change (8th edition)\124230\dwgs\inswing (hvhz)(impact).dwg 6/9/2023 8:28 AM



100 FOURTH AVE NORTH
BAYPORT, MN 55003-1096
PH: (651) 264-5150 FX: (651) 264-5485

TITLE: E-SERIES HINGED PATIO
DOOR TRANSOM - INSWING
(HVHZ) (IMPACT)

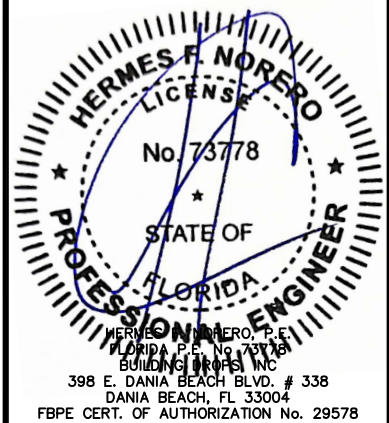
BILL OF MATERIALS

PREPARED BY:
BUILDING DROPS, INC.
398 E. DANIA BEACH BLVD., STE. 338
DANIA BEACH, FL 33004
PH: (954) 399-8478
FAX: (954) 744-4738
WEB: www.buildingdrops.com



| REMARKS | BY | DATE |
|----------------------|-----|---------|
| 6TH FBC EDITION | FM | 10/17 |
| 7TH FBC CODE CHANGE | NUS | 6.29.20 |
| 2023 FBC CODE CHANGE | MS | 5/31/23 |

THE INSTALLATION DETAILS DESCRIBED HEREIN ARE GENERIC AND MAY NOT REFLECT ACTUAL CONDITIONS FOR A SPECIFIC SITE. IF SITE CONDITIONS CAUSE INSTALLATION TO DEVIATE FROM THE REQUIREMENTS DETAILED HEREIN, A LICENSED ENGINEER OR ARCHITECT SHALL PREPARE SITE SPECIFIC DOCUMENTS FOR USE WITH THIS DOCUMENT.



FL #: **FL24230**
DATE: **10.16.17**
DWG. BY: **RV** CHK. BY: **HFN**
SCALE: **NTS**
DWG. #: **AWD218**

SHEET **7**

BILL OF MATERIALS

| NO. | PART NUMBER | DESCRIPTION | MATERIAL |
|-----|-------------|-----------------------------------|--------------|
| 55 | - | 5/8" EXTERIOR MDL BAR | ALUM. |
| 56 | - | 5/8" MDL ADHESIVE TAPE (EXTERIOR) | POLYETHYLENE |
| 57 | - | 5/8" MDL ADHESIVE TAPE (INTERIOR) | POLYETHYLENE |
| 70 | - | NAIL FIN | ALUM. |
| 72 | - | #8 X 1/2" PPH TEK SCREW | STEEL |

BILL OF MATERIALS

| NO. | PART NUMBER | DESCRIPTION | MATERIAL |
|-----|-------------|-------------------------------------|--------------|
| 1 | - | FRAME | WOOD |
| 3 | - | WALL CLADDING | ALUM. |
| 4 | - | #8 X 2-1/8" FHWS | STEEL |
| 5 | - | SILICONE SEALANT | SEALANT |
| 6 | - | PANEL SHIM | - |
| 9 | - | 1/5 SDLT SHIM SPACER | - |
| 10 | - | 2-3/4" RAIL & STILE | WOOD |
| 11 | - | 2-3/4" RAIL CLADDING | ALUM. |
| 15 | - | 4-9/16" WALL TRANSOM SILL | ALUM. |
| 16 | - | TRANSOM SILL TRIM | WOOD |
| 19 | - | GLAZING STOP | WOOD |
| 26 | - | 1-1/4" 18 GA.HARD STL BRAD | - |
| 27 | - | ADHESIVE TAPE | POLYETHYLENE |
| 28 | - | GLASS SETTING BLOCK | - |
| 33 | - | STRAP ANCHOR | STEEL |
| 34 | - | SILICONE SEALANT | SILICONE |
| 36 | - | 5/8" BETWEEN GLASS MUNTIN | ALUM. |
| 37 | - | 1" CONTOUR MUNTIN | ALUM. |
| 38 | - | 1-1/2" INTERIOR COLONIAL MDL BAR | WOOD |
| 39 | - | SPACER CHANNEL | ALUM. |
| 40 | - | 1-1/2" EXTERIOR MDL BAR | ALUM. |
| 41 | - | 1-1/2" MDL ADHESIVE TAPE (EXTERIOR) | POLYETHYLENE |
| 42 | - | 1-1/2" MDL ADHESIVE TAPE (INTERIOR) | POLYETHYLENE |
| 43 | - | 1-1/8" INTERIOR COLONIAL MDL BAR | WOOD |
| 44 | - | SPACER CHANNEL | ALUM. |
| 45 | - | 1-1/8" EXTERIOR MDL BAR | ALUM. |
| 46 | - | 1-1/8" MDL ADHESIVE TAPE (EXTERIOR) | POLYETHYLENE |
| 47 | - | 1-1/8" MDL ADHESIVE TAPE (INTERIOR) | POLYETHYLENE |
| 48 | - | 7/8" INTERIOR COLONIAL MDL BAR | WOOD |
| 49 | - | SPACER CHANNEL | ALUM. |
| 50 | - | 7/8" EXTERIOR MDL BAR | ALUM. |
| 51 | - | 7/8" MDL ADHESIVE TAPE (EXTERIOR) | POLYETHYLENE |
| 52 | - | 7/8" MDL ADHESIVE TAPE (INTERIOR) | POLYETHYLENE |
| 53 | - | 5/8" INTERIOR COLONIAL MDL BAR | WOOD |
| 54 | - | SPACER CHANNEL | ALUM. |